

FY-950 Pop-Up Assembly • Spec Sheet

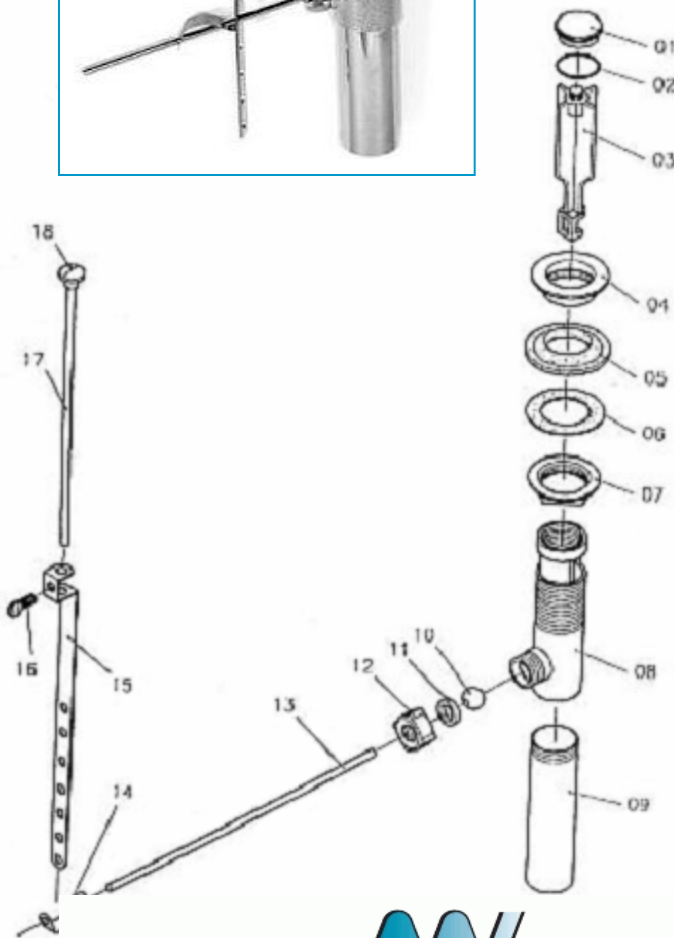


FEATURES & BENEFITS

- Chrome Plate Brass
- With Lift Rod

MATERIAL SPECIFICATION

No.	Part Name	Material
1	Stopper	Brass
2	O-Ring	Rubber
3	Plunger	POM
4	Flange	Brass
5	Gasket	Rubber
6	Washer	PE
7	Nut	Brass
8	Pop-Up Body	Brass
9	Tailpiece	Brass
10	Ball	POM
11	Pivot	Nylon
12	Nut	POM
13	Pivot Rod	Brass
14	Spring Clip	Stainless Steel #304
15	Strap	Cold Rolled Steel
16	Thumb Screw	Cold Rolled Steel
17	Lift Rod	Brass
18	Knob	Brass



MATCO-NORCA

Global sourcing. National compliance. Local service.

NEW YORK
CALIFORNIA
TEXAS

WEB: www.matco-norca.com

PO Box 27, Rt.22, Brewster NY 10509 • Toll Free: 800-431-2082 • Fax: 845-278-9056
5593 Fresca Dr., La Palma CA 90623 • Toll Free: 866-532-8306 • Fax: 714-522-3828
1150 Silber Rd., Houston TX 77055 • Toll Free: 800-935-5456 • Fax: 713-680-2999

EMAIL: mail@matco-norca.com