

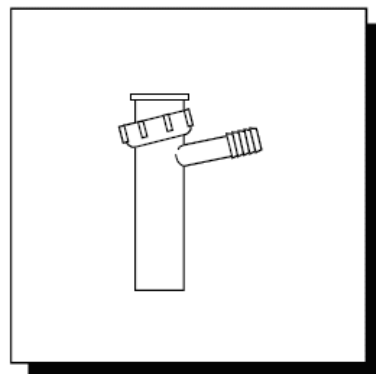
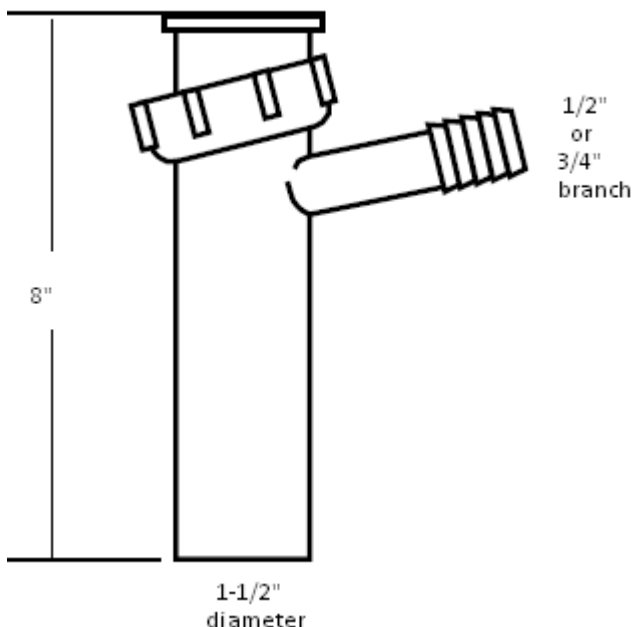
**PLASTIC TUBULAR
BRANCH TAILPIECE –HI-LINE CONNECTION**

Engineering Specification: Dearborn Brass Plastic Tubular Branch Tailpiece with Hi-Line Connection is designed for use in tubular drain applications. Available in white or black polypropylene plastic. Options include ½" or ¾" Branch.

Job Reference

DESCRIPTION

- Made of polypropylene plastic
- Plastic Tubular Branch Tailpiece
 - Branch Tailpiece
 - (1) Slip Nut



- Meets ASTM F 409
- IAPMO Listed



✓	Product No.	Description	Carton Quantity	Carton Weight (lbs)
	PP9818	1-½" x 8" Branch Tailpiece, Hi-Line Top with ½" Branch – White	25	4.2
	AP9818	1-½" x 8" Branch Tailpiece, Hi-Line Top with ½" Branch – Black	25	4.1
	PP9819	1-½" x 8" Branch Tailpiece, Hi-Line Top with ¾" Branch – White	25	4.1
	AP9819	1-½" x 8" Branch Tailpiece, Hi-Line Top with ¾" Branch – Black	25	4.2

Data is subject to manufacturing tolerances.