

771 CPVC Ball Valve • Spec Sheet

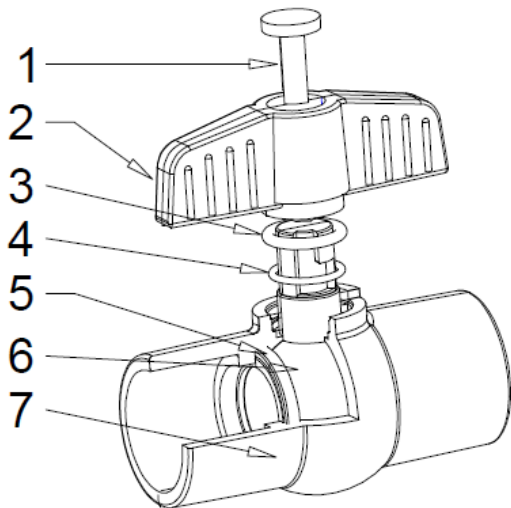


FEATURES & BENEFITS

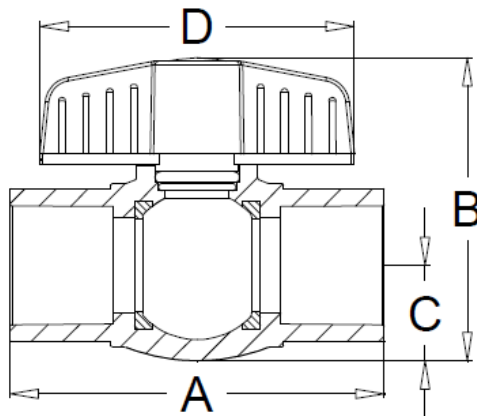
- ISO-9002
- 100 PSI @ 180 Deg. F.
- NSF Approved
- CTS I.D.
- Solvent Ends Comply with ASTM D2846
- Sizes 1/2" - 2"

MATERIAL SPECIFICATIONS

No.	Part	Material
1	Cap	ABS
2	Handle	ABS
3	O-Ring	EPDM
4	O-Ring Mini	EPDM
5	Seat	PTFE
6	Ball	ABS + PC
7	Body	CPVC



DIMENSIONS



Part#	Size	A	B	C	D
771S03	1/2"	2.57	2.05	0.63	2.36
771S04	3/4"	3.13	2.51	0.78	3.73
771S05	1"	3.54	2.95	0.90	3.00
771S06	1-1/4"	4.04	3.29	1.08	3.52
771S07	1-1/2"	4.61	3.72	1.32	3.52
771S08	2"	5.71	4.25	1.56	4.41



MATCO-NORCA

Global sourcing. National compliance. Local service.