

**SPECIFICATIONS**

**SINGLE CONTROL PRESSURE BALANCE MIXING VALVE LESS SCREWDRIVER STOPS**

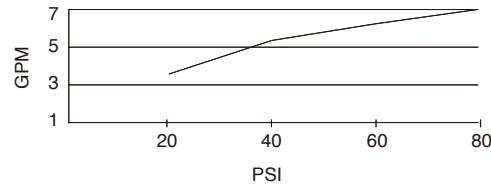
**Model**

D11500T  
D11500BT

**Description**

- Ceramic disc valve
- With temperature limit adjustment
- Combination 1/2" copper sweat/IPS 4-port hook up
- Back-to-back installation feature
- Mounting bracket & plaster guard included
- Valve will perform at ASSE 1016 standards when flow rate is restricted to 2.0gpm

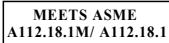
**Flow Rate**



**Standards**



• UPC/cUPC



• ASME A112.18.1M/ A112.18.1



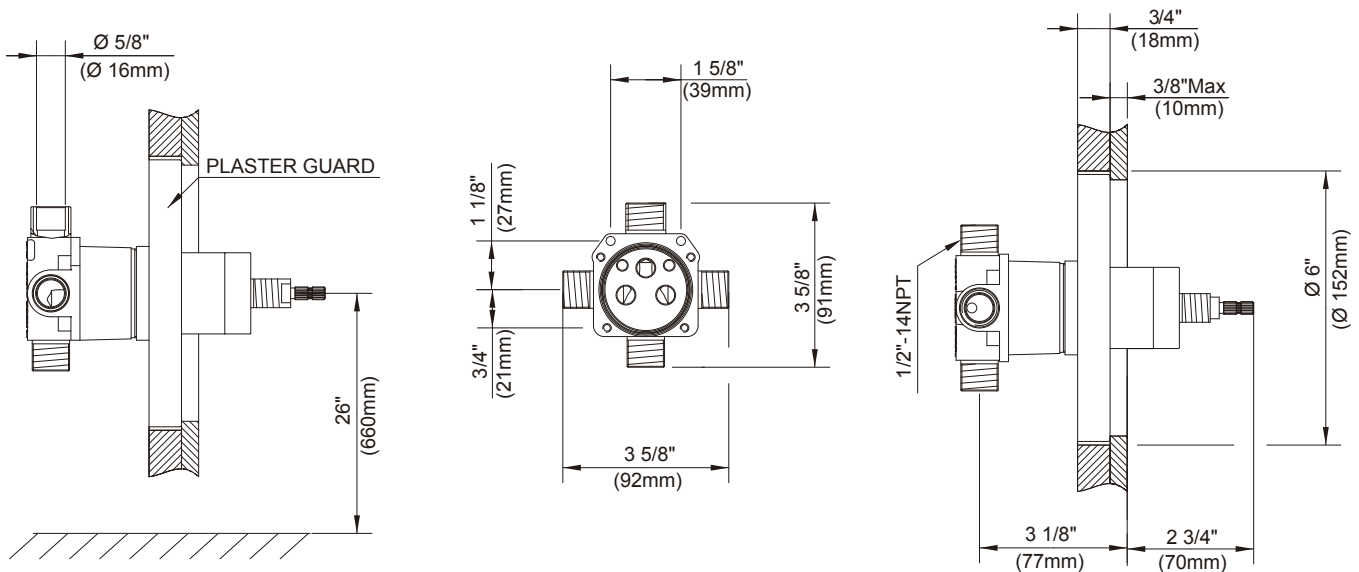
• ASSE 1016

**Finishes Available**

- Rough Brass

**Warranty**

Danze products are covered by a manufacturer's limited "lifetime" warranty for manufacturing defects.



**Submittal Information:**

Job Name: \_\_\_\_\_  
Contractor: \_\_\_\_\_

Location: \_\_\_\_\_  
Contact #: \_\_\_\_\_