

260030 – EVERYDAY BATHS

60 x 30 x 15 inches



FEATURES

- Alcove bath
- Integral tiling flange (3T)
- Integral skirt
- Slip-resistant textured bottom
- Left or right hand drain
- AcrylX™ applied acrylic surface
- Lifetime limited warranty

OPTIONS

- Designer drain, waste & overflow

AQUATIC ADVANTAGE

- National distribution
- 6 manufacturing facilities
- Private fleet
- Centralized customer service
- Field support

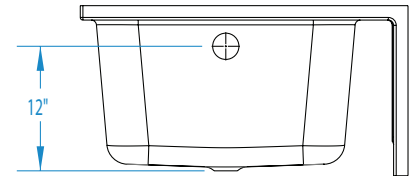
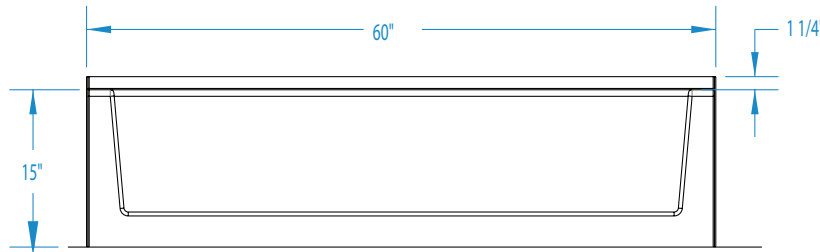
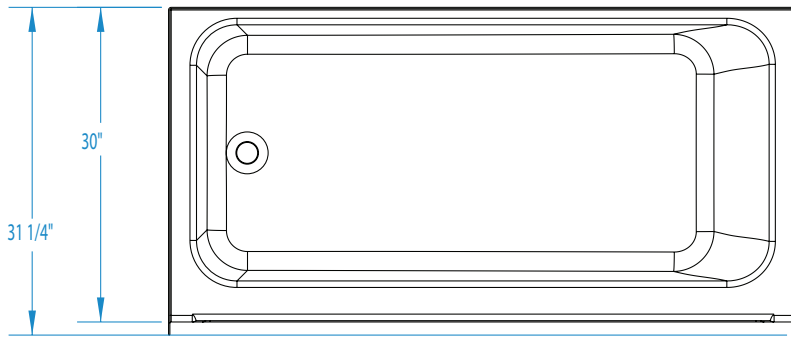
COLOR OPTIONS

Stock	Upgraded	Premium
Almond White	Linen/Biscuit Bone	Black Mexican Sand Sand Bar Sterling Silver



260030

60 x 30 x 15
inches



FEATURES lbs Dimensional Tolerance $\pm \frac{3}{8}$ ". Dimensions needed for site preparation should be measured from the unit. Aquatic assumes no responsibility for preparatory work.

Model #	Material	Jets	Motor	Controls	Drain	Net Wt.	Pkg. Wt.
Soaker #260030	AcrylX™	-	-	-	LH or RH	60	65

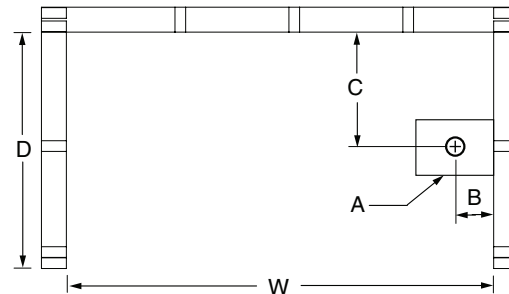
DIMENSIONS

Specifications	inches
Width: Overall / Net	60
Depth: Overall / Net	31 1/4 / 30
Height: Overall / Net	16 1/4 / 15
Enclosure Opening	-
Skirt Height	15
Drain Rough-In (from Back Wall)	13 7/8
Drain Rough-In (from Side Wall)	2
Drain: Diameter / Clearance	2 / 1/2

FRAMING DIMENSIONS

 inches

Type	D Depth	W Width	H Height	A	B	C
Alcove	31 1/4	60 1/8	-	Box Out	2	13 7/8



SUMP DATA

Top of Drain to Bottom of Overflow	Capacity to Overflow gal	Min. Operating Capacity gal	WIDTH @ centerline		DEPTH @ centerline	
			Top	Bottom	Top	Bottom
10 1/2	50	-	55	48 1/2	24 3/4	22