

# 16033P – REMODELINE SECTIONALS

inches (mm)

60 x 34 x 72 (1525 x 865 x 1830) • Fax on Demand #3010



## FEATURES

- 3-piece shower
- Smooth wall
- Integral seats
- Molded toiletry shelf
- Center drain
- Gelcoat surface
- 5-year limited warranty

## OPTIONS

- Grab bar reinforcement
- Factory installed assisted care grab bars
- Brass shower drain
- Shower Door Series: L0517

## AQUATIC ADVANTAGE

- National distribution
- 5 manufacturing facilities
- Private fleet
- Centralized customer service
- Field support
- 24-hour fax-on-demand

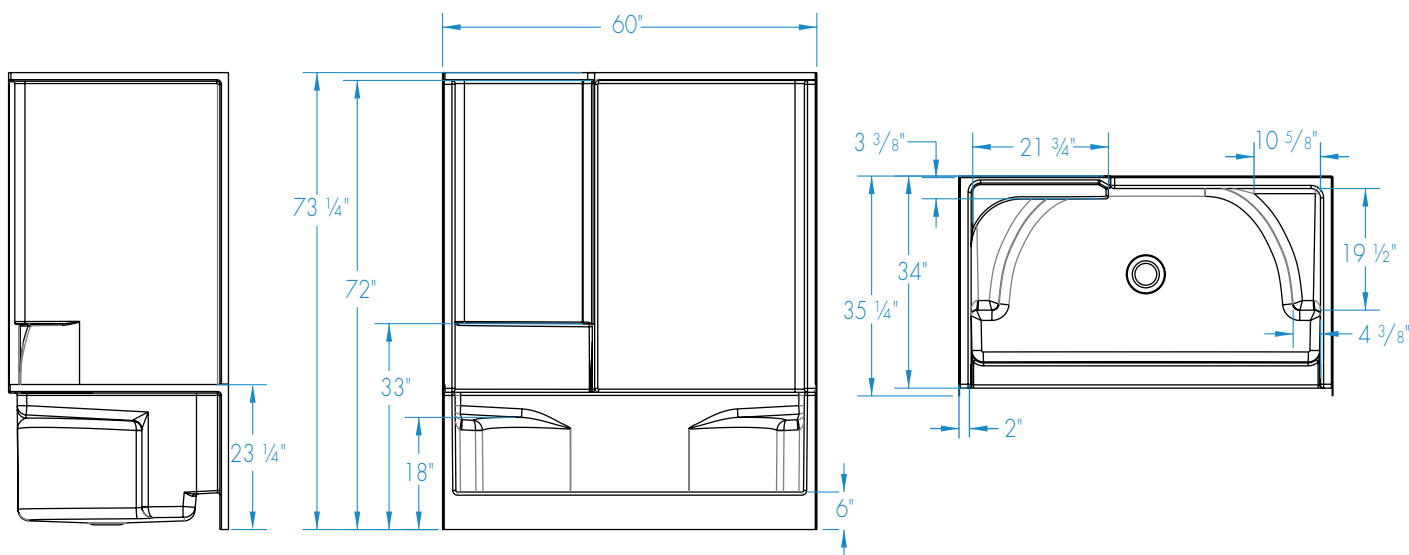
## COLOR OPTIONS

Stock	Premium
Almond	Black
Biscuit	Mexican Sand
Bone	Sand Bar
Linen	Sterling Silver
White	



# 16033P

60 x 34 x 72 (1525 x 865 x 1830)  
inches (mm)



**FEATURES** lbs (kg) Dimensional Tolerance  $\pm 3/8$ ". Dimensions needed for site preparation should be measured from the unit. Aquatic assumes no responsibility for preparatory work.

Model #	Material	Wall Finish	Pieces	Drain	Seat	Net Wt.	Pkg. Wt.
Shower #16033P	Gelcoat	Smooth	3	Center	2 seats	122 (55)	127 (58)

## DIMENSIONS

Specifications	inches (mm)
Width: Overall / Net	60 (1525)
Depth: Overall / Net	35 1/4 (895) / 34 (865)
Height: Overall / Net	73 1/4 (1860) / 72 (1830)
Enclosure Opening	56 (1420)
Skirt Height	6 (150)
Drain Rough-In (from Back Wall)	15 3/4 (400)
Drain Rough-In (from Side Wall)	30 (760)
Drain: Diameter / Clearance	3 1/4 (85) / 3/4 (20)

## FRAMING DIMENSIONS inches (mm)

Type	D Depth	W Width	H Height	A	B	C
Alcove	35 1/4 (895)	60 1/8 (1525)	-	Box Out	30 (760)	15 3/4 (400)

